

VL1 Bluetooth

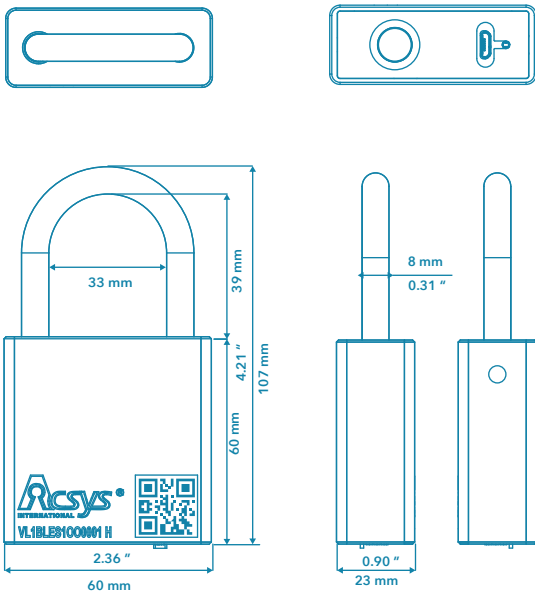
Product ID: VL1BLE



The VL1BLE is a Keyless, Secure and Splash-proof padlock designed for indoor environments. It is the perfect balanced solution to control and gather transactional data from all assets requiring smart access. It provides access management through the iAMS Smart Access App using Low Power Bluetooth technology.

Access is granted through Real-time / Online connection to the server or through Real-time / Offline redundant mechanism using Acscys' unique CGS Plus technology.

GENERAL	
Dimensions & Weight	60 x 107 x 23 mm 8mm Shackle 240 g 2.36"W x 4.21"L x 0.90"H 0.31" Shackle 0.5 Lbs
Material	Brushed Aluminum Hardened Steel Shackle (non-removable) Nickel / Chrome Plating
ENVIRONMENT	
Temperature	-20 °C to 80 °C (Storage) -10 °C to 60 °C (Operation) -4 °F to 176 °F (Storage) 14 °F to 140 °F (Operation)
Relative Humidity (RH)	0 to 95% (Without Condensation)
Ingress Protection	Splash Proof
FEATURES	
Battery	Rechargeable Non-replaceable Jump-Start
Sensors	Detects Locking Status
Communication	Bluetooth BLE
ELECTRONICS	
Battery Type	Lithium
Battery Standby Cycle	0.5 year
Battery Charging Port	Micro USB
Encryption	AES 128-bit
LED Indicator	Activation / Battery status indicator
Audit Trail	Access Logs (In App and Software)
COMPATIBILITY	
Mobile App	iAMS Smart Access (iOS & Android)
Desktop Software	iAMS (Intelligent Access Management System)
CERTIFICATION	
Electronics	CE, FCC, RoHS*
WARRANTY	
Warranty	1 year



* Available after the end of September 2019