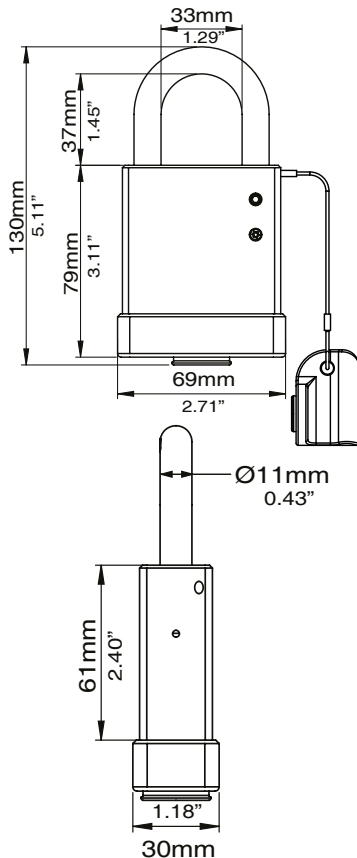


# PL5 Padlock - EX

Product ID: Ex-PL5

The Ex-PL5 is an intrinsically safe padlock certified for use in potentially explosive areas in Zone 1, where flammable vapours are cause for concern.

This padlock is a robust locking unit designed to secure assets in hazardous environments such as fuel cargo, laboratories, pipelines, tankers, pump stations, oilfields, marine facilities and process plants.



GENERAL	
Dimensions & Weight	69 x 130 x 30 mm   11mm Shackle   1 Kg 2.71"W x 5.11"L x 1.18"H   0.43" Shackle   2.2 Lbs
Material	Brass Body with Plating   Bottom Cover: TPE Sealing Cap: Silicone Rubber
ENVIRONMENT	
Operating Temperature	-20 °C to 65 °C   -4 °F to 149 °F
Relative Humidity (RH)	0 to 97% (without condensation)
Ingress Protection	IP68 (with sealing cap) - IEC 60529
ELECTRONICS	
Power Supply	Powered by the key
Encryption	AES 128-bit
LOGIC	
Accessible Keys	1 million
Audit Trail	1000 Access Logs   100 Blacklisted Keys
Can only be used with	Ex-AK series Keys <sup>(1)</sup>
CERTIFICATION	
Electronics	CE, FCC, RoHS, IECEx
Mechanical	EN16864 CEN grade 4
WARRANTY	
Warranty	2 years <sup>(2)</sup>

<sup>1</sup> Using this product with non EX-AK series Keys voids the warranty  
<sup>2</sup> Tested in ambient temperature 25°C.  
 Performance may vary, depending on operating/storage temperatures and usage pattern.